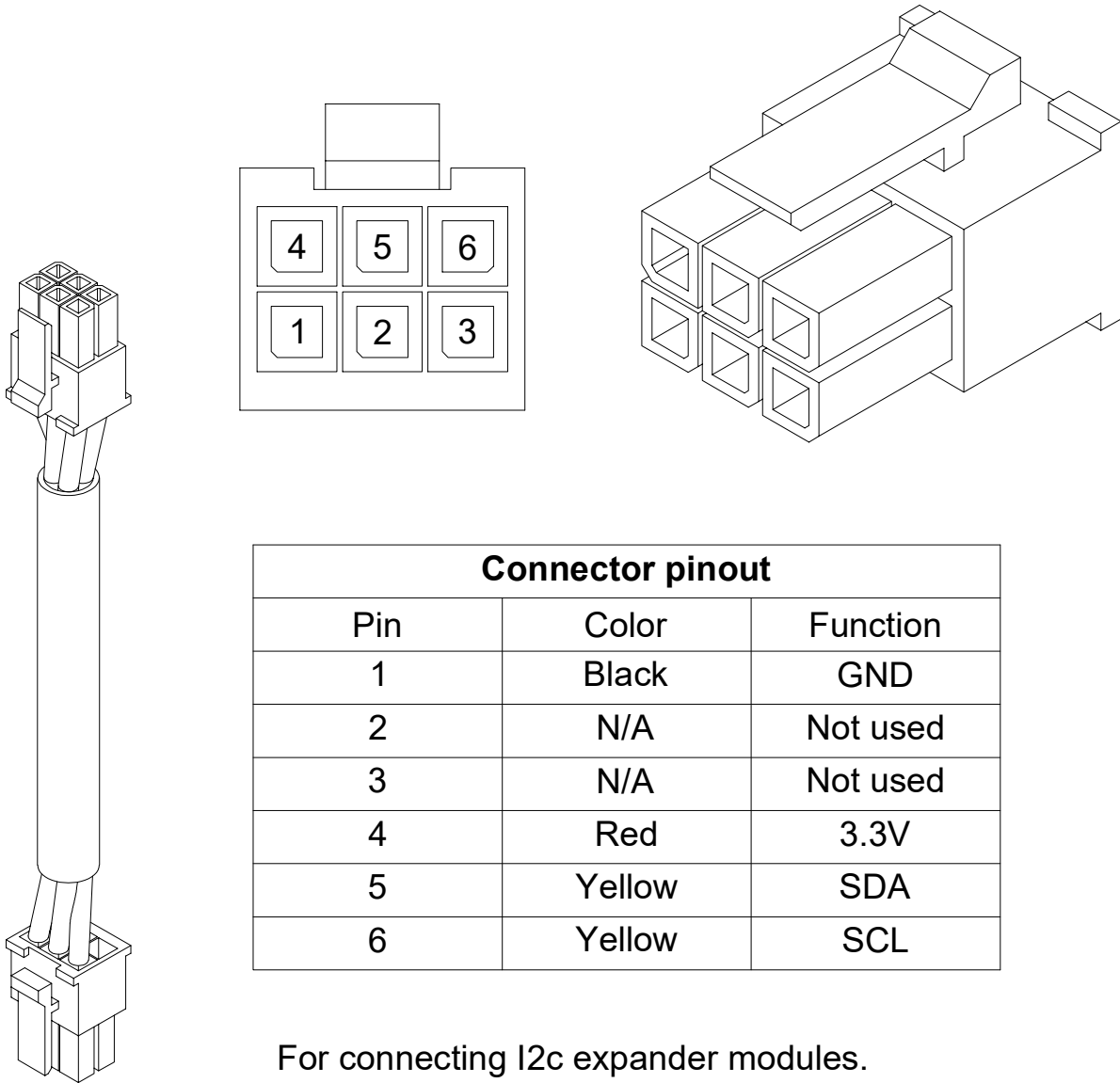


Wires wrapped in regular protective sleeve.



Connector pinout		
Pin	Color	Function
1	Black	GND
2	N/A	Not used
3	N/A	Not used
4	Red	3.3V
5	Yellow	SDA
6	Yellow	SCL

For connecting I2c expander modules.
Currently only for the remote receiver module.

Dept.	Technical reference	Created by Sheep	3/14/2026	Approved by	
		Document type Component drawing	Document status Approved		
		Title Expansion cable	DWG No. 10343		
		Rev. A	Date of issue 3/14/2026	Sheet 1/1	